

POWER YOUR FUTURE

SDEC Generator  
LG450SC

SC27G755D2

Prime Power: 450KW/562KVA

Standby Power: 495KW/618KVA



SDEC Series

60KVA--1100KVA



## GENERATING POWER SOLUTIONS

### Increased availability for new operations

Reliable, robust and versatile generator.  
Ready to deliver power for a next job.

### Increased uptime during operations

Once installed on the end-user-site, the generator will be ready to run: "peace of mind" operation.

### Reduced transport and installation costs

The compact and robust design with integrated transport features enables faster and safer transport and installation.

### Reduced service & maintenance costs

Longer service intervals.  
Quicker and more efficient service jobs.

### Premium resale value

Designed and built to last.

### SAFETY

- Operate safely in accordance with proper operation manual.
- To prevent trouble and accidents, perform daily and preventive maintenance checks without fail.

**FUAN LONGKAI POWER CO.,LTD.**

**Headquarters:**

Add: Wei 5 Road, Tiehu Industrial Zone, Fuan, Fujian, China

Tel: +86-0593-6309773 Fax: +86-0593-6586988

E-mail: sales@longkaipower.com

Web: www.longkaipower.com

## Technical Data

Model		LG450SC
Rated prime power	kva	562
Rated standard power	kva	618
Rated voltage line to line	V	400/230
Rated current	A	812
Maximun sound level	dB(@7m)	≤100

### Engine-SDEC

Model		SC27G755D2
Aspiration		V type, four stroke, water cooled, pressurized air cooled
Fuel system		P type
No. cylinders		26.6
Displacement	Liquid	25.8
Bore*Stroke	mm	135*155
Compression ratio		16:1
Rated speed	r/min	1500
Rated net power(with fan)	Kw	505
Governor type		Electrical
Start Motor	V	24V×11kW

### Exhaust System

Exhaust gas flow	m <sup>3</sup> /min	91.8
Exhaust gas temp	°C	650
Max back pressure	kPa	6

### Aspiration System

Max inlet pressure	kPa	6
Air flow	m <sup>3</sup> /min	36
Fan consumption	KW	30

### Fuel System P type

100% load(Prime power)	L/h	126.0
75% load(Prime power)	L/h	95.3
50% load(Prime power)	L/h	66.3
Fuel tank capacity	L	950

### Lubrication System

Oil capacity	L	65
Oil consumption	g/kwh	≤4
Oil pressure	kPa	/
(continuous operation)		

### Cooling System

Coolant capacity	L	48
Thermostat operation range	°C	77-90
Max water temperature	°C	104

### Alternator

Model		LONGKAI LK544D
		STAMFORD HCI544D-S5L1D-D4/S5L1S-D4
Phase		3
Voltage	V	400/230
Wiring Type		3 Phase 4 wire, Y type
Bearing		1
Power factor		0.8
Frequency	Hz	50
Prime power	KW	440
Exciter Type		Brushless, self-excitation
Voltage regulation	%	±0.5
Protection Grade		IP 23
Insulation grade		H/H
Altitude	m	≤1000

### Controller-DEESEA

Model		DSE6120MK3
-------	--	------------

Protective functions:

- Low oil pressure
- High water temperature
- High/low voltage
- High Engine Temperature and Overspeed.
- Voltage regulator frequency regulator
- Emergency stop
- Start failure



### Control Module Options



- Auto generator control module
- Control module with "Three Remote Control" functions
- ATS auto load transfer screen
- Synchronising control modules
- Power output cabinet

### Standard Features

- Engine(SDEC)
- Radiator 50°C max,fans are driven by bel
- 24V charge alternator
- Alternator: single bearing alternator IP23, insulation class H/H
- Standard auto control system
- One set of air filter, fuel filter, oil filter
- Main line circuit breaker/MCCB
- Base fuel tank
- Two 24V batteries, rac and cable
- Exhaust system(Ripple flex exhaust pipe, exhaust siphon, flange, muffler)
- User manual

### Options

- Battery charge
- Engine heater
- Alternator heater
- PMG
- Water oil separator
- Daily fuel tank
- Remote control panel
- Automatic transfer switch/ATS
- Switch box
- Standard: ● Options:○

### Warranty\*

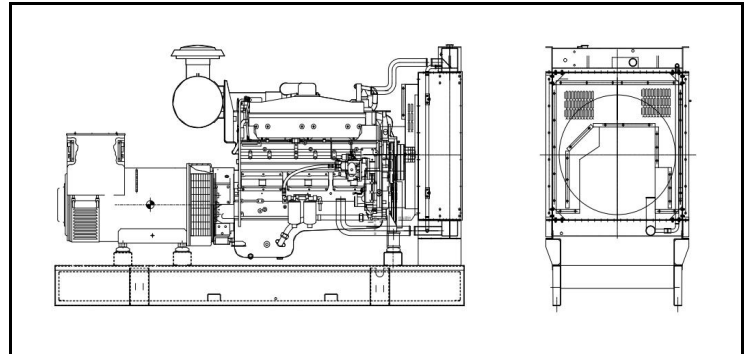
#### SDEC Engine

24 months from date of purchase and 3000 hours.

#### Generator

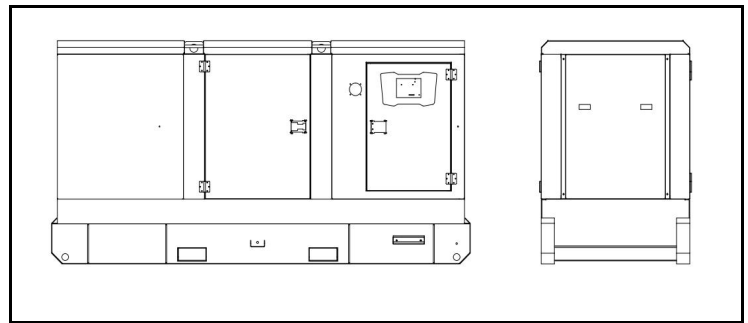
12 months from date of purchase or 1000 hours (whichever occurs first).

### Unit Dimensions(Basic unit)



#### Open Type

L*W*H	mm	3550*1445*2220
Weight	kg	2600



#### Silent Type

L*W*H	mm	4888*1800*2500
Weight	kg	4500